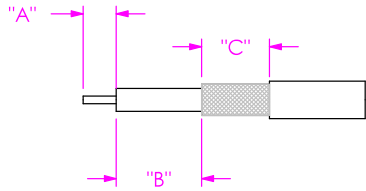


STYLE	"A"	"B"	"C"
01SP1	3.10 [.122]	2.00 [.079]	5.50 [.217]
01RP1	1.50 [.059]	3.00 [.118]	5.50 [.217]
01BJ1	3.50 [.138]	2.50 [.098]	6.00 [.236]
02SJ1	3.10 [.122]	2.30 [.091]	4.50 [.177]
02RP1	1.30 [.051]	1.80 [.071]	4.50 [.177]
02SP1	2.50 [.098]	1.00 [.039]	5.00 [.197]
03SP1	2.20 [.087]	2.60 [.102]	4.50 [.177]
03RP1	1.30 [.051]	2.00 [.079]	4.80 [.189]
13GP1	2.20 [.087]	2.60 [.102]	4.50 [.177]

DO NOT SCALE FROM THIS PRINT

CABLE STRIPPING DIMS PER CONNECTOR (SEE TABLE 1)



NOTES:

- Ⓢ REPRESENTS A CRITICAL DIMENSION.
- CABLE CUT LENGTH = OAL - SUBTRACTOR FOR END 1 - SUBTRACTOR FOR END 2. (SEE TABLE 2 FOR SUBTRACTORS)
- RECOMMENDED CRIMPED DIMENSION FOR FERRULES IS 3.25 [0.128]
- Ⓢ ASSEMBLY TO BE 100% TESTED FOR OPENS & SHORTS.
- Ⓢ ASSEMBLY TO BE 100% HI-POT TESTED AT 50V.
- CRITICALS TO BE CHECKED IN PROCESS.
- FINISHED ASSEMBLIES TO BE PACKAGED IN INDIVIDUAL POLY ZIPPER BAGS.
- CABLE STOCKED IN INCHES, 1 INCH = 25.4 MILLIMETERS.
- TO BE MEASURED FROM THE HIGHEST POINT ON THE SHELL TO THE HIGHEST ON THE PIN.

DIMS IN MILLIMETERS

STYLE	SUBTRACTOR
01SP1	5.45 [.122]
01RP1	2.83 [.059]
01BJ1	3.51 [.138]
02SJ1	5.88 [.122]
02RP1	1.99 [.051]
02SP1	7.30 [.098]
03SP1	3.90 [.087]
03RP1	1.49 [.051]
13SP1	5.05 [.200]
13SJ1	4.15 [.163]
SING	0.00 [.000]

RFXXX-XXXXX-XXXXX-XXXX

CABLE CALL OUT
174: CCA-174
316: CCA-316

OVERALL CABLE LENGTH
MILLIMETERS OF CABLE**
0100 - 1100

** (SEE NOTE 8)

END 1 CONNECTOR CALL OUT

- 01SP1: SMA-P-C-H-ST-CA1
- 01RP1: SMA-P-C-H-RA-CA1
- 01BJ1: SMA-J-C-H-ST-BH1
- 02SJ1: MCX-J-C-H-ST-CA1
- 02RP1: MCX-P-C-H-RA-CA1
- 02SP1: MCX-P-C-H-ST-CA1
- 03SP1: MMCX-P-C-H-ST-CA1
- 03RP1: MMCX-P-C-H-RA-CA1

END 2 CONNECTOR CALL OUT

- 01SP1: SMA-P-C-H-ST-CA1
- 01RP1: SMA-P-C-H-RA-CA1
- 01BJ1: SMA-J-C-H-ST-BH1
- 02SJ1: MCX-J-C-H-ST-CA1
- 02RP1: MCX-P-C-H-RA-CA1
- 02SP1: MCX-P-C-H-ST-CA1
- 03SP1: MMCX-P-C-H-ST-CA1
- 03RP1: MMCX-P-C-H-RA-CA1
- SING: SINGLE ENDED (ONE END ONLY)

*-13GP1: GRF1-P-C-H-ST-CA1 (316 OPTION ONLY)
~*-13GJ1: GRF1-J-C-H-ST-CA1 (316 OPTION ONLY)

* FOR INTERNAL USE ONLY
~ NOT TOOLED

*-13GP1: GRF1-P-C-H-ST-CA1 (316 OPTION ONLY)
~*-13GJ1: GRF1-J-C-H-ST-CA1 (316 OPTION ONLY)

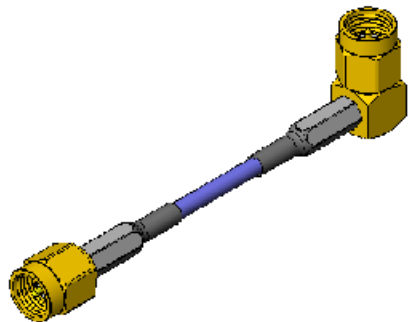
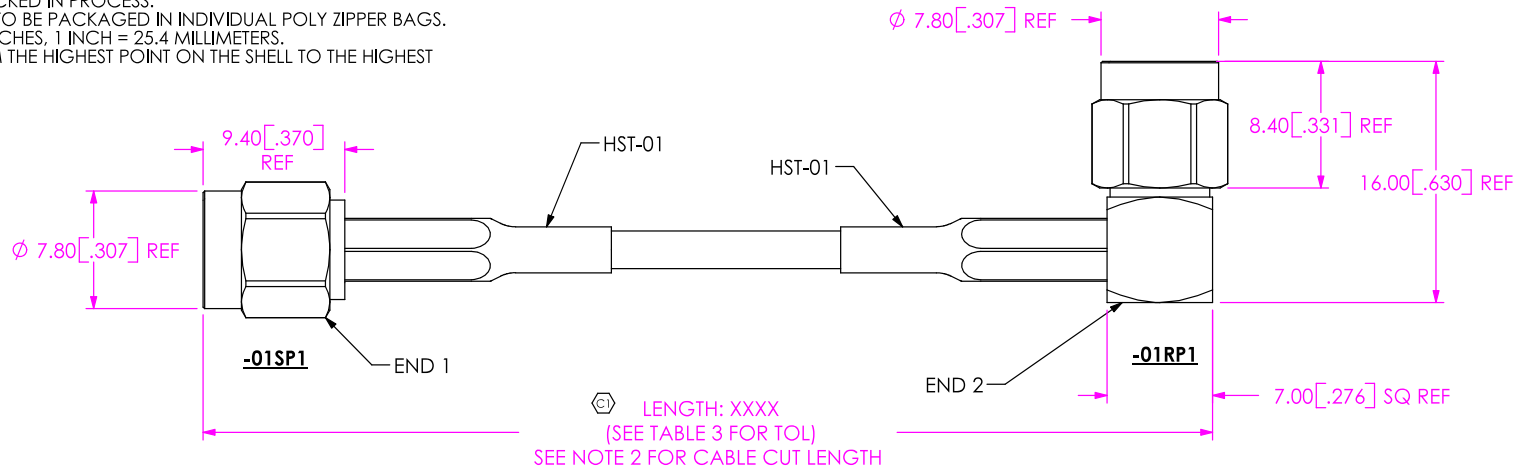


TABLE 3 (IN MILLIMETERS)

LENGTH	TOLERANCE
0000-0050 [0-1.96]	1.0 [.040]
0050-0200 [1.96-7.87]	3.0 [.118]
0200-0500 [7.87-19.69]	5.0 [.197]
0500-1100 [19.69-43.30]	10.0 [.394]

UNLESS OTHERWISE SPECIFIED, DIMENSIONS ARE IN MM. TOLERANCES ARE:
 DECIMALS ANGLES
 .X: ± .3 [.01] 2°
 .XX: ± .13 [.005]
 .XXX: ± .051 [.0020]

PROPRIETARY NOTE
 THIS DOCUMENT CONTAINS INFORMATION CONFIDENTIAL AND PROPRIETARY TO SAMTEC, INC. AND SHALL NOT BE REPRODUCED OR TRANSFERRED TO OTHER DOCUMENTS OR DISCLOSED TO OTHERS OR USED FOR ANY PURPOSE OTHER THAN THAT WHICH IT WAS OBTAINED WITHOUT THE EXPRESSED WRITTEN CONSENT OF SAMTEC, INC.

SAMTEC

520 PARK EAST BLVD, NEW ALBANY, IN 47150
 * PHONE: 812.944.6733 FAX: 812.948.5047
 e-Mail: INFO@SAMTEC.COM CODE: 55322

MATERIAL: DO NOT SCALE DRAWING SHEET SCALE: 2:1
 INSULATOR:
 CONTACT OR TERMINAL:



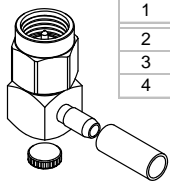
DESCRIPTION: RF CABLE ASSEMBLY

DWG. NO. RFXXX-XXXXX-XXXXX-XXXX

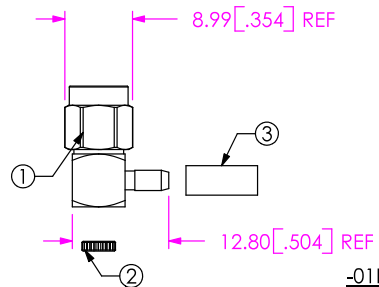
BY: TIM P. 5/3/2005 SHEET 1 OF 3

REVISION A

1	SUB-SMA-P-C-H-ST-CA1
2	SMA-PIN-001
3	SMA-FER-001
4	HST-01



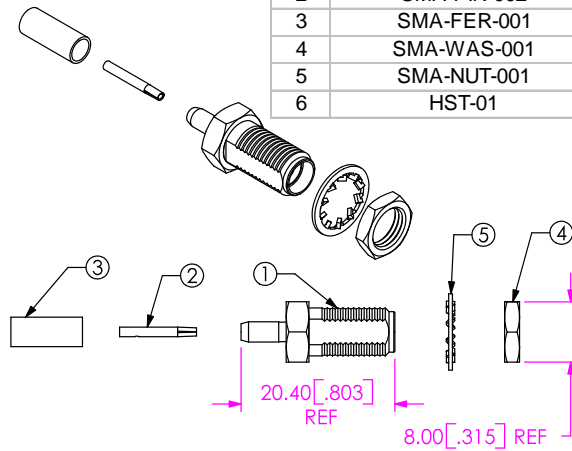
1	SUB-SMA-P-C-H-RA-CA1
2	SMA-CAP-001
3	SMA-FER-001
4	HST-01



-01SP1

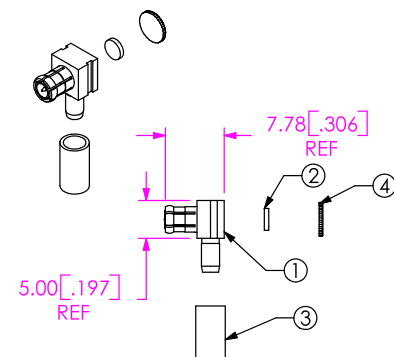
-01RP1

1	SUB-SMA-J-C-H-ST-BH1
2	SMA-PIN-002
3	SMA-FER-001
4	SMA-WAS-001
5	SMA-NUT-001
6	HST-01



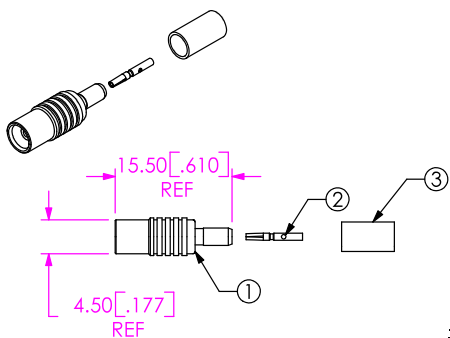
-01BJ1

1	SUB-MCX-P-C-X-RA-CA1
2	MCX-INS-001
3	MCX-FER-002
4	MCX-CAP-001
5	HST-01



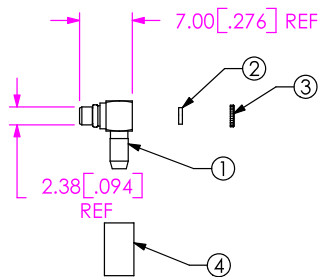
-02RP1

1	SUB-MCX-J-C-X-ST-CA1
2	MCX-PIN-003
3	MCX-FER-001
4	HST-01



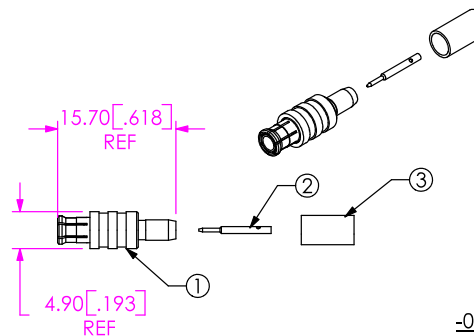
-02SJ1

1	SUB-MMCX-P-C-X-RA-CA1
2	MMCX-INS-001
3	MMCX-CAP-001
4	MCX-FER-002
5	HST-01



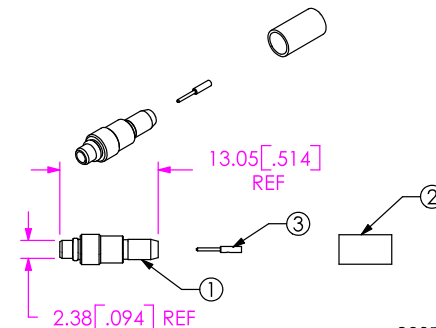
-03RP1

1	SUB-MCX-P-C-X-ST-CA1
2	MCX-PIN-001
3	MCX-FER-001
4	HST-01



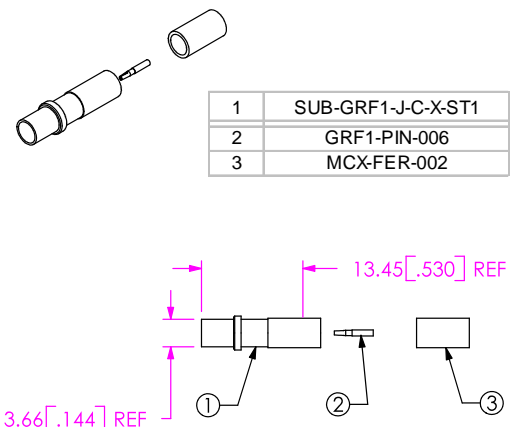
-02SP1

1	SUB-MMCX-P-C-X-ST-CA1
2	MCX-FER-001
3	MMCX-PIN-001
4	HST-01



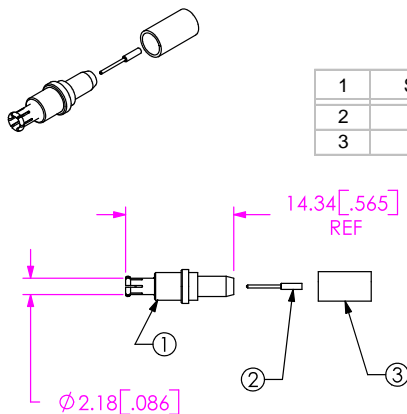
-03SP1

1	SUB-GRF1-J-C-X-ST1
2	GRF1-PIN-006
3	MCX-FER-002



-13GJ1

1	SUB-GRF1-P-C-X-ST
2	GRF1-PIN-001
3	MCX-FER-002



-13GP1

PROPRIETARY NOTE

THIS DOCUMENT CONTAINS INFORMATION CONFIDENTIAL AND PROPRIETARY TO SAMTEC, INC. AND SHALL NOT BE REPRODUCED OR TRANSFERRED TO OTHER DOCUMENTS OR DISCLOSED TO OTHERS OR USED FOR ANY PURPOSE OTHER THAN THAT WHICH IT WAS OBTAINED WITHOUT THE EXPRESSED WRITTEN CONSENT OF SAMTEC, INC.

DO NOT SCALE DRAWING

SHEET SCALE: 1:1

SAMTEC

520 PARK EAST BLVD, NEW ALBANY, IN 47150
 * PHONE: 812.944.6733 FAX: 812.948.5047
 e-Mail: INFO@SAMTEC.COM CODE: 55322

DESCRIPTION:
 RF CABLE ASSEMBLY

DWG. NO.
RFXXX-XXXXX-XXXXX-XXXX

BY: TIM P. 5/3/2005 SHEET 2 OF 3

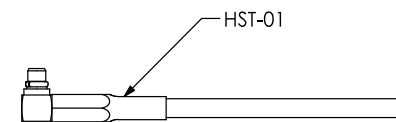
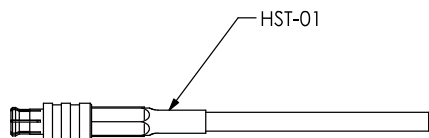
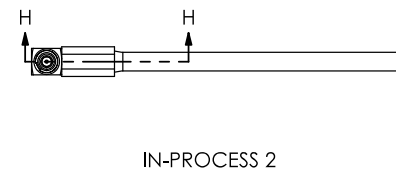
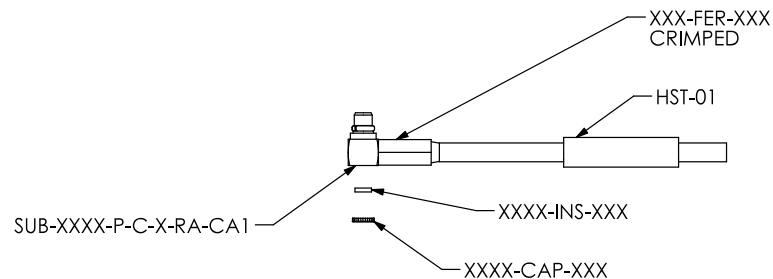
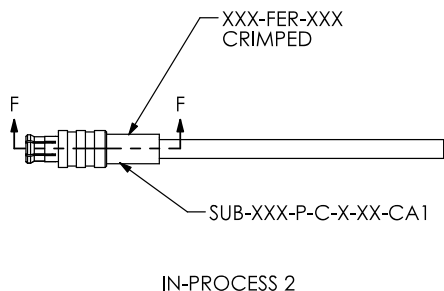
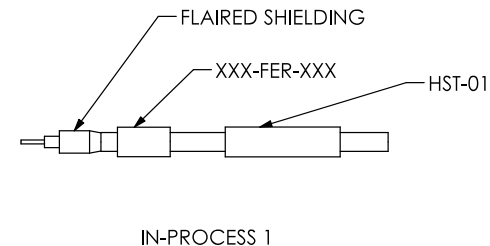
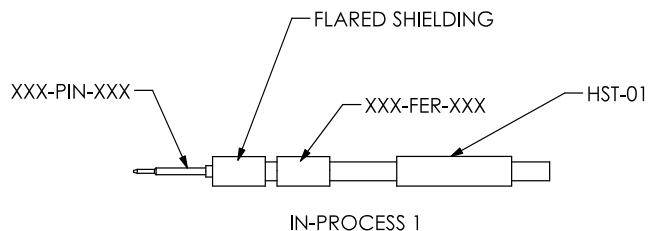
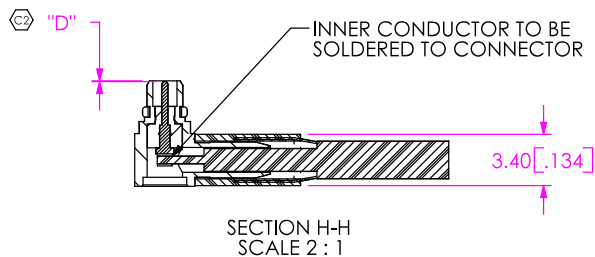
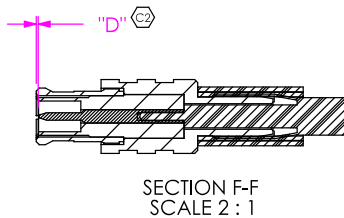


TABLE 4	
STYLE	"D"(SEE NOTE 9)
01SP1	.45 [.018] - .70 [.028]
01RP1	.45 [.018] - .70 [.028]
01BJ1	1.98 [.078] - 2.23 [.088]
02SJ1	1.38 [.054] - 1.63 [.064]
02RP1	0.00[.000] - .25 [.010]
02SP1	0.00[.000] - .25 [.010]
03SP1	0.00[.000] - .25 [.010]
03RP1	0.00[.000] - .25 [.010]
13GP1	0.00[.000] - .25 [.010]



PROPRIETARY NOTE
 THIS DOCUMENT CONTAINS INFORMATION CONFIDENTIAL AND PROPRIETARY TO SAMTEC, INC. AND SHALL NOT BE REPRODUCED OR TRANSFERRED TO OTHER DOCUMENTS OR DISCLOSED TO OTHERS OR USED FOR ANY PURPOSE OTHER THAN THAT WHICH IT WAS OBTAINED WITHOUT THE EXPRESSED WRITTEN CONSENT OF SAMTEC, INC.

DO NOT SCALE DRAWING
 SHEET SCALE: 1:1

SAMTEC
 520 PARK EAST BLVD, NEW ALBANY, IN 47150
 * PHONE: 812.944.6733 FAX: 812.948.5047
 e-Mail: INFO@SAMTEC.COM CODE: 55322

DESCRIPTION:
RF CABLE ASSEMBLY
 DWG. NO.
RFXXX-XXXXXX-XXXXX-XXXX
 BY: TIM P. 5/3/2005 SHEET 3 OF 3