



STK14C88-M

32K x 8 *AutoStore*TM nvSRAM

*QuantumTrap*TM CMOS

Nonvolatile Static RAM

MIL-STD-883

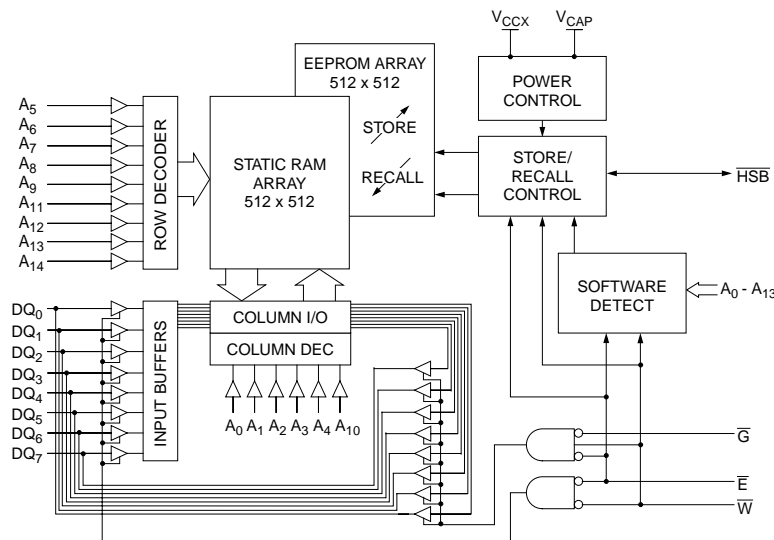
FEATURES

- Nonvolatile Storage without Battery Problems
- 35ns and 45ns Access Times
- “Hands-off” Automatic *STORE* with External 68μF Capacitor on Power Down
- *STORE* to EEPROM Initiated by Hardware, Software or *AutoStore*TM on Power Down
- *RECALL* to SRAM Initiated by Software or Power Restore
- 10mA Typical I_{CC} at 200ns Cycle Time
- Unlimited READ, WRITE and *RECALL* Cycles
- 100,000 *STORE* Cycles to EEPROM
- 10-Year Data Retention in EEPROM
- Single 5V ± 10% Operation
- Not Sensitive to Power On/Off Ramp Rates
- No Data Loss from Undershoot
- 32-Pad LCC and 32-Pin 300 mil CDIP Packages

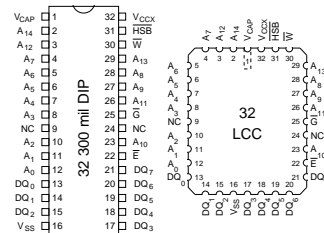
DESCRIPTION

The Simtek STK14C88-M is a fast static RAM with a nonvolatile, electrically erasable PROM element incorporated in each static memory cell. The SRAM can be read and written an unlimited number of times, while independent nonvolatile data resides in EEPROM. Data transfers from the SRAM to the EEPROM (the *STORE* operation) can take place automatically on power down. A 68μF or larger capacitor tied from V_{CAP} to ground guarantees the *STORE* operation, regardless of power-down slew rate or loss of power from “hot swapping”. Transfers from the EEPROM to the SRAM (the *RECALL* operation) take place automatically on restoration of power. Initiation of *STORE* and *RECALL* cycles can also be software controlled by entering specific read sequences. A hardware *STORE* may be initiated with the HSB pin.

BLOCK DIAGRAM



PIN CONFIGURATIONS



PIN NAMES

| | |
|-----------------------------------|---------------------------|
| A ₀ - A ₁₄ | Address Inputs |
| DQ ₀ - DQ ₇ | Data In/Out |
| E | Chip Enable |
| W | Write Enable |
| G | Output Enable |
| HSB | Hardware Store Busy (I/O) |
| V _{CCX} | Power (+ 5V) |
| V _{CAP} | Capacitor |
| V _{SS} | Ground |

STK14C88-M

ABSOLUTE MAXIMUM RATINGS^a

Voltage on Input Relative to V_{SS} -0.6V to ($V_{CC} + 0.5V$)
 Voltage on DQ_{0-7} or HSB -0.5V to ($V_{CC} + 0.5V$)
 Temperature under Bias. -55°C to 125°C
 Storage Temperature -65°C to 150°C
 Power Dissipation 1W
 DC Output Current (1 output at a time, 1s duration) 15mA

Note a: Stresses greater than those listed under "Absolute Maximum Ratings" may cause permanent damage to the device. This is a stress rating only, and functional operation of the device at conditions above those indicated in the operational sections of this specification is not implied. Exposure to absolute maximum rating conditions for extended periods may affect reliability.

DC CHARACTERISTICS

($V_{CC} = 5.0V \pm 10\%$)^e

| SYMBOL | PARAMETER | MILITARY | | UNITS | NOTES |
|-------------|---|---------------|---------------|---------|---|
| | | MIN | MAX | | |
| I_{CC1}^b | Average V_{CC} Current | | 90 | mA | $t_{AVAV} = 35ns$ $t_{AVAV} = 45ns$ |
| | | | 85 | mA | |
| I_{CC2}^c | Average V_{CC} Current during <i>STORE</i> | | 6 | mA | All Inputs Don't Care, $V_{CC} = \max$ |
| I_{CC3}^b | Average V_{CC} Current at $t_{AVAV} = 200ns$ | | 15 | mA | $\bar{V} \geq (V_{CC} - 0.2V)$ All Others Cycling, CMOS Levels |
| I_{CC4}^c | Average V_{CAP} Current during <i>AutoStore</i> TM Cycle | | 4 | mA | All Inputs Don't Care |
| I_{SB1}^d | Average V_{CC} Current (Standby, Cycling TTL Input Levels) | | 30 | mA | $t_{AVAV} = 35ns, \bar{E} \geq V_{IH}$ $t_{AVAV} = 45ns, \bar{E} \geq V_{IH}$ |
| | | | 28 | mA | |
| I_{SB2}^d | V_{CC} Standby Current (Standby, Stable CMOS Input Levels) | | 3 | mA | $\bar{E} \geq (V_{CC} - 0.2V)$ All Others $V_{IN} \leq 0.2V$ or $\geq (V_{CC} - 0.2V)$ |
| I_{ILK} | Input Leakage Current | | ± 1 | μA | $V_{CC} = \max$ $V_{IN} = V_{SS}$ to V_{CC} |
| I_{OLK} | Off-State Output Leakage Current | | ± 5 | μA | $V_{CC} = \max$ $V_{IN} = V_{SS}$ to V_{CC} , \bar{E} or $\bar{G} \geq V_{IH}$ |
| V_{IH} | Input Logic "1" Voltage | 2.2 | $V_{CC} + .5$ | V | All Inputs |
| V_{IL} | Input Logic "0" Voltage | $V_{SS} - .5$ | 0.8 | V | All Inputs |
| V_{OH} | Output Logic "1" Voltage | 2.4 | | V | $I_{OUT} = -4mA$ except HSB |
| V_{OL} | Output Logic "0" Voltage | | 0.4 | V | $I_{OUT} = 8mA$ except HSB |
| V_{BL} | Logic "0" Voltage on HSB Output | | 0.4 | V | $I_{OUT} = 3mA$ |
| T_A | Operating Temperature | -55 | 125 | °C | |

Note b: I_{CC1} and I_{CC3} are dependent on output loading and cycle rate. The specified values are obtained with outputs unloaded.

Note c: I_{CC2} and I_{CC4} are the average currents required for the duration of the respective *STORE* cycles (t_{STORE}).

Note d: $\bar{E} \geq V_{IH}$ will not produce standby current levels until any nonvolatile cycle in progress has timed out.

Note e: V_{CC} reference levels throughout this datasheet refer to V_{CCX} if that is where the power supply connection is made, or V_{CAP} if V_{CCX} is connected to ground.

AC TEST CONDITIONS

Input Pulse Levels. 0V to 3V
 Input Rise and Fall Times. $\leq 5ns$
 Input and Output Timing Reference Levels. 1.5V
 Output Load See Figure 1

CAPACITANCE^f ($T_A = 25^\circ C, f = 1.0MHz$)

| SYMBOL | PARAMETER | MAX | UNITS | CONDITIONS |
|-----------|--------------------|-----|-------|----------------------|
| C_{IN} | Input Capacitance | 5 | pF | $\Delta V = 0$ to 3V |
| C_{OUT} | Output Capacitance | 7 | pF | $\Delta V = 0$ to 3V |

Note f: These parameters are guaranteed but not tested.

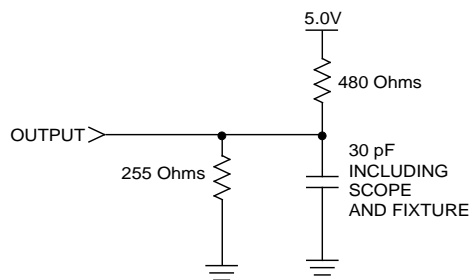


Figure 1: AC Output Loading

SRAM READ CYCLES #1 & #2

($V_{CC} = 5.0V \pm 10\%$)^e

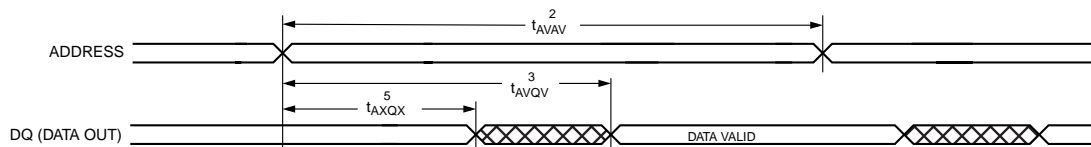
| NO. | SYMBOLS | | PARAMETER | STK14C88-35M | | STK14C88-45M | | UNITS |
|-----|--------------|-----------|-----------------------------------|--------------|-----|--------------|-----|-------|
| | #1, #2 | Alt. | | MIN | MAX | MIN | MAX | |
| 1 | t_{ELQV} | t_{ACS} | Chip Enable Access Time | | 35 | | 45 | ns |
| 2 | t_{AVAV}^g | t_{RC} | Read Cycle Time | 35 | | 45 | | ns |
| 3 | t_{AVQV}^h | t_{AA} | Address Access Time | | 35 | | 45 | ns |
| 4 | t_{GLQV} | t_{OE} | Output Enable to Data Valid | | 15 | | 20 | ns |
| 5 | t_{AXQX}^h | t_{OH} | Output Hold after Address Change | 3 | | 3 | | ns |
| 6 | t_{ELQX} | t_{LZ} | Chip Enable to Output Active | 5 | | 5 | | ns |
| 7 | t_{EHQZ} | t_{HZ} | Chip Disable to Output Inactive | | 13 | | 15 | ns |
| 8 | t_{GLQX} | t_{OLZ} | Output Enable to Output Active | 0 | | 0 | | ns |
| 9 | t_{GHQZ}^i | t_{OHZ} | Output Disable to Output Inactive | | 13 | | 15 | ns |
| 10 | t_{ELICCH} | t_{PA} | Chip Enable to Power Active | 0 | | 0 | | ns |
| 11 | t_{EHICCL} | t_{PS} | Chip Disable to Power Standby | | 35 | | 45 | ns |

Note g: \overline{W} and \overline{HSB} must be high during SRAM READ cycles.

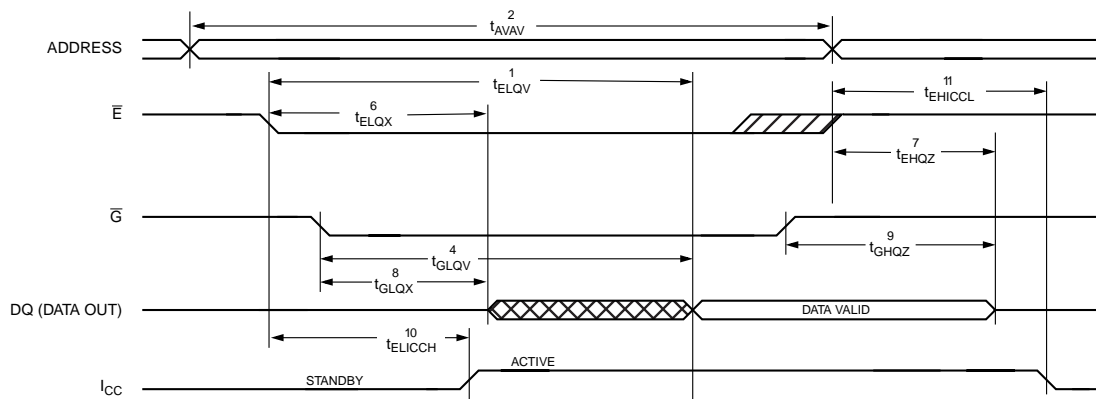
Note h: Device is continuously selected with \overline{E} and \overline{G} both low.

Note i: Measured $\pm 200mV$ from steady state output voltage.

SRAM READ CYCLE #1: Address Controlled^{g, h}



SRAM READ CYCLE #2: \overline{E} Controlled^g



STK14C88-M

SRAM WRITE CYCLES #1 & #2

($V_{CC} = 5.0V \pm 10\%$)^e

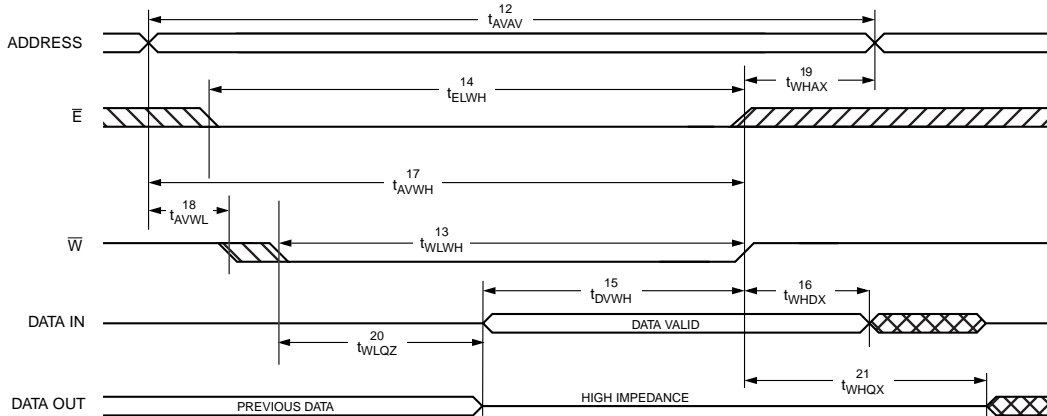
| NO. | SYMBOLS | | | PARAMETER | STK14C88-35M | | STK14C88-45M | | UNITS |
|-----|------------------|------------|----------|----------------------------------|--------------|-----|--------------|-----|-------|
| | #1 | #2 | Alt. | | MIN | MAX | MIN | MAX | |
| 12 | t_{AVAV} | t_{AVAV} | t_{WC} | Write Cycle Time | 35 | | 45 | | ns |
| 13 | t_{WLWH} | t_{WLEH} | t_{WP} | Write Pulse Width | 25 | | 30 | | ns |
| 14 | t_{ELWH} | t_{ELEH} | t_{CW} | Chip Enable to End of Write | 25 | | 30 | | ns |
| 15 | t_{DVWH} | t_{DVEH} | t_{DW} | Data Set-up to End of Write | 12 | | 15 | | ns |
| 16 | t_{WHDX} | t_{EHDX} | t_{DH} | Data Hold after End of Write | 0 | | 0 | | ns |
| 17 | t_{AVWH} | t_{AVEH} | t_{AW} | Address Set-up to End of Write | 25 | | 30 | | ns |
| 18 | t_{AVWL} | t_{AVEL} | t_{AS} | Address Set-up to Start of Write | 0 | | 0 | | ns |
| 19 | t_{WHAX} | t_{EHAX} | t_{WR} | Address Hold after End of Write | 0 | | 0 | | ns |
| 20 | $t_{WLQZ}^{i,j}$ | | t_{WZ} | Write Enable to Output Disable | | 13 | | 15 | ns |
| 21 | t_{WHQX} | | t_{OW} | Output Active after End of Write | 5 | | 5 | | ns |

Note j: If \bar{W} is low when \bar{E} goes low, the outputs remain in the high-impedance state.

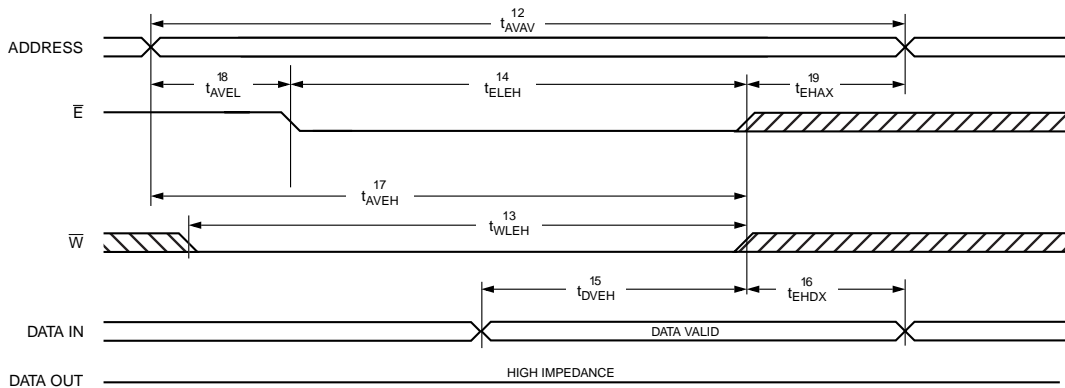
Note k: \bar{E} or \bar{W} must be $\geq V_{IH}$ during address transitions.

Note l: \bar{HSB} must be high during SRAM WRITE cycles.

SRAM WRITE CYCLE #1: \bar{W} Controlled^{k, l}



SRAM WRITE CYCLE #2: \bar{E} Controlled^{k, l}



HARDWARE MODE SELECTION

| \bar{E} | \bar{W} | HSB | A ₁₃ - A ₀ (hex) | MODE | I/O | POWER | NOTES |
|-----------|-----------|-----|--|--|--|--|---------|
| H | X | H | X | Not Selected | Output High Z | Standby | |
| L | H | H | X | Read SRAM | Output Data | Active | p |
| L | L | H | X | Write SRAM | Input Data | Active | |
| X | X | L | X | Nonvolatile <i>STORE</i> | Output High Z | I _{CC2} | m |
| L | H | H | 0E38 31C7 03E0 3C1F 303F 0FC0 | Read SRAM Read SRAM Read SRAM Read SRAM Read SRAM Nonvolatile <i>STORE</i> | Output Data Output Data Output Data Output Data Output Data Output High Z | Active I _{CC2} | n, o, p |
| L | H | H | 0E38 31C7 03E0 3C1F 303F 0C63 | Read SRAM Read SRAM Read SRAM Read SRAM Read SRAM Nonvolatile <i>RECALL</i> | Output Data Output Data Output Data Output Data Output Data Output High Z | Active I _{CC2} | n, o, p |

Note m: \bar{HSB} store operation occurs only if an SRAM WRITE has been done since the last nonvolatile cycle. After the store (if any) completes, the part will go into standby mode, inhibiting all operations until \bar{HSB} rises.

Note n: The six consecutive addresses must be in order listed. \bar{W} must be high during all six consecutive cycles to enable a nonvolatile cycle.

Note o: While there are 15 addresses on the STK14C88-M, only the lower 14 are used to control software modes.

Note p: I/O state assumes $\bar{G} \leq V_{IL}$. Activation of nonvolatile cycles does not depend on state of \bar{G} .

HARDWARE STORE CYCLE

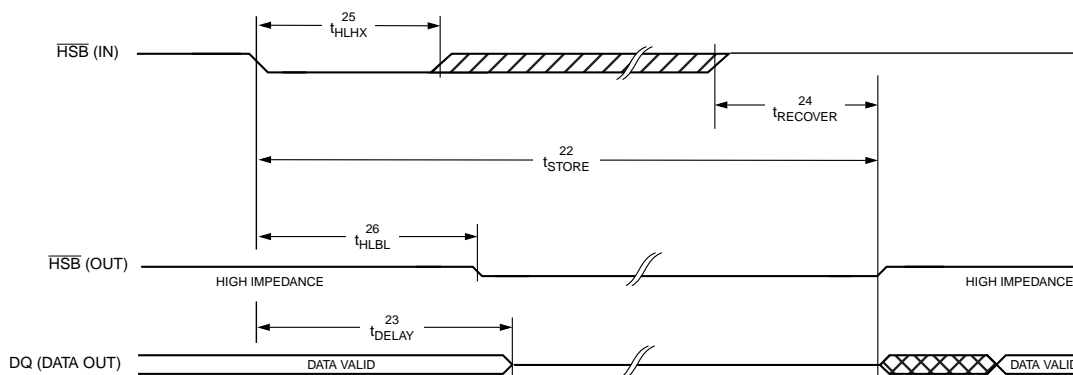
(V_{CC} = 5.0V ± 10%)^e

| NO. | SYMBOLS | | PARAMETER | STK14C88-M | | UNITS | NOTES |
|-----|----------------------|-------------------|-------------------------------------|------------|-----|-------|-------|
| | Standard | Alternate | | MIN | MAX | | |
| 22 | t _{STORE} | t _{HLHZ} | STORE Cycle Duration | | 10 | ms | i, q |
| 23 | t _{DELAY} | t _{HLQZ} | Time Allowed to Complete SRAM Cycle | 1 | | μs | i, q |
| 24 | t _{RECOVER} | t _{HHQX} | Hardware STORE High to Inhibit Off | | 700 | ns | q, r |
| 25 | t _{HLHX} | | Hardware STORE Pulse Width | 20 | | ns | |
| 26 | t _{HLBL} | | Hardware STORE Low to STORE Busy | | 300 | ns | |

Note q: \bar{E} and \bar{G} low and \bar{W} high for output behavior.

Note r: t_{RECOVER} is only applicable after t_{STORE} is complete.

HARDWARE STORE CYCLE



STK14C88-M

AutoStore™/POWER-UP RECALL

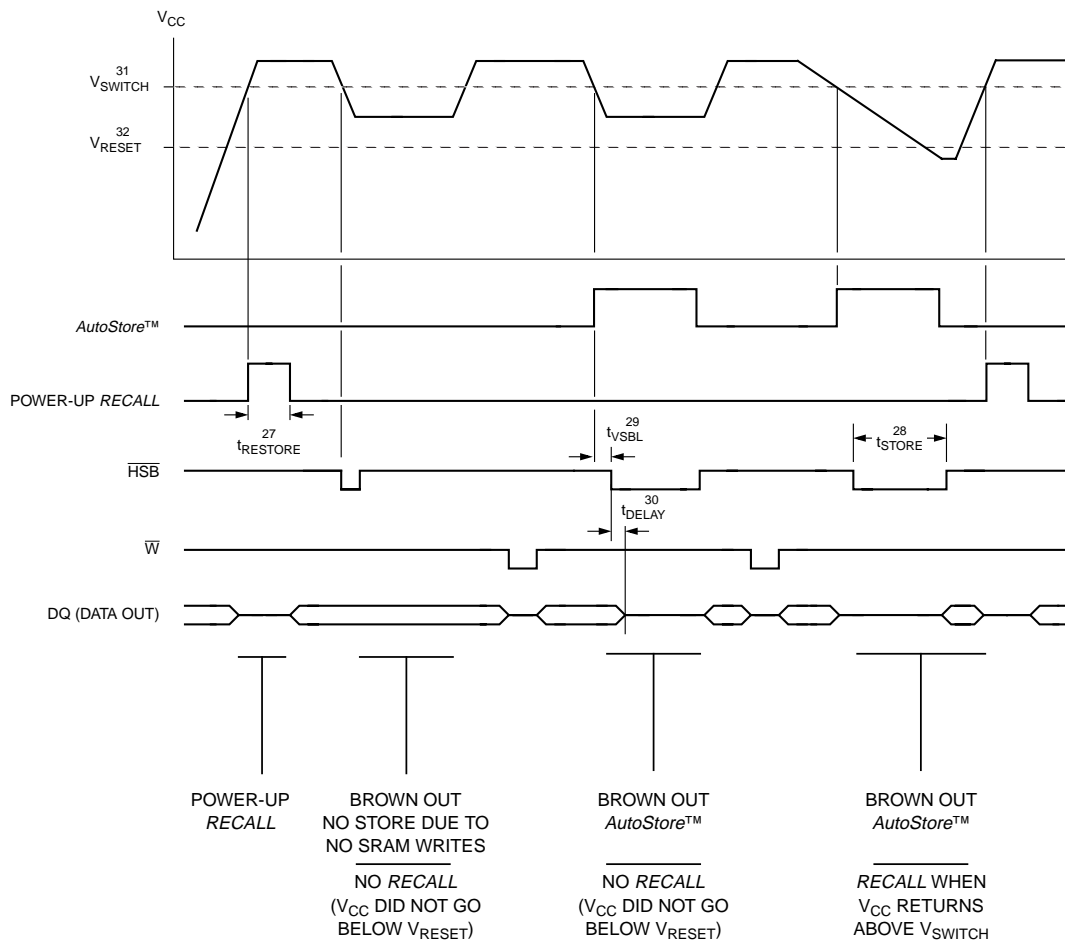
($V_{CC} = 5.0V \pm 10\%$)^e

| NO. | SYMBOLS | | PARAMETER | STK14C88-M | | UNITS | NOTES |
|-----|---------------|------------|--|------------|-----|---------|-------|
| | Standard | Alternate | | MIN | MAX | | |
| 27 | $t_{RESTORE}$ | | Power-up <i>RECALL</i> Duration | | 550 | μ s | s |
| 28 | t_{STORE} | t_{HLHZ} | <i>STORE</i> Cycle Duration | | 10 | ms | q, t |
| 29 | t_{VSBL} | | Low Voltage Trigger (V_{SWITCH}) to \overline{HSB} Low | | 300 | ns | l |
| 30 | t_{DELAY} | t_{BLOZ} | Time Allowed to Complete SRAM Cycle | 1 | | μ s | q |
| 31 | V_{SWITCH} | | Low Voltage Trigger Level | 4.0 | 4.5 | V | |
| 32 | V_{RESET} | | Low Voltage Reset Level | | 3.9 | V | |

Note s: $t_{RESTORE}$ starts from the time V_{CC} rises above V_{SWITCH} .

Note t: \overline{HSB} is asserted low for 1 μ s when V_{CAP} drops through V_{SWITCH} . If an SRAM WRITE has not taken place since the last nonvolatile cycle, \overline{HSB} will be released and no *STORE* will take place.

AutoStore™/POWER-UP RECALL



SOFTWARE-CONTROLLED STORE/RECALL CYCLE^v

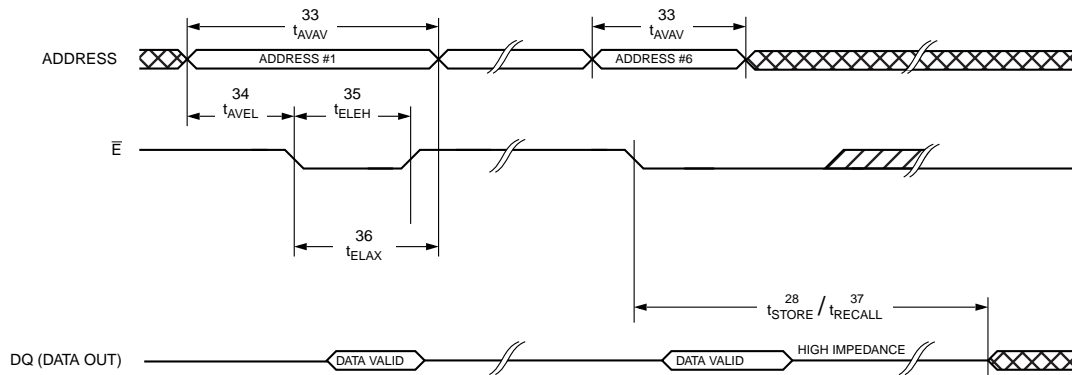
($V_{CC} = 5.0V \pm 10\%$)^e

| NO. | SYMBOLS | | PARAMETER | STK14C88-35M | | STK14C88-45M | | UNITS | NOTES |
|-----|--------------|-----------|------------------------------------|--------------|-----|--------------|-----|---------|-------|
| | Standard | Alternate | | MIN | MAX | MIN | MAX | | |
| 33 | t_{AVAV} | t_{RC} | STORE/RECALL Initiation Cycle Time | 35 | | 45 | | ns | q |
| 34 | t_{AVEL} | t_{AS} | Address Set-up Time | 0 | | 0 | | ns | u |
| 35 | t_{ELEH} | t_{CW} | Clock Pulse Width | 25 | | 30 | | ns | u |
| 36 | t_{ELAX} | | Address Hold Time | 20 | | 25 | | ns | u |
| 37 | t_{RECALL} | | RECALL Duration | | 20 | | 20 | μ s | |

Note u: The software sequence is clocked with \bar{E} controlled READs.

Note v: The six consecutive addresses must be in the order listed in the Hardware Mode Selection Table: (0E38, 31C7, 03E0, 3C1F, 303F, 0FC0) for a STORE cycle or (0E38, 31C7, 03E0, 3C1F, 303F, 0C63) for a RECALL cycle. W must be high during all six consecutive cycles.

SOFTWARE STORE/RECALL CYCLE: \bar{E} Controlled^v



DEVICE OPERATION

The STK14C88-M has two separate modes of operation: SRAM mode and nonvolatile mode. In SRAM mode, the memory operates as a standard fast static RAM. In nonvolatile mode, data is transferred from SRAM to EEPROM (the *STORE* operation) or from EEPROM to SRAM (the *RECALL* operation). In this mode SRAM functions are disabled.

NOISE CONSIDERATIONS

The STK14C88-M is a high-speed memory and so must have a high frequency bypass capacitor of approximately 0.1 μ F connected between V_{CAP} and V_{SS} , using leads and traces that are as short as possible. As with all high-speed CMOS ICs, normal careful routing of power, ground and signals will help prevent noise problems.

SRAM READ

The STK14C88-M performs a READ cycle whenever \bar{E} and \bar{G} are low and \bar{W} and \overline{HSB} are high. The address specified on pins A_{0-14} determines which of the 32,768 data bytes will be accessed. When the READ is initiated by an address transition, the outputs will be valid after a delay of t_{AVQV} (READ cycle #1). If the READ is initiated by \bar{E} or \bar{G} , the outputs will be valid at t_{ELQV} or at t_{GLQV} whichever is later (READ cycle #2). The data outputs will repeatedly respond to address changes within the t_{AVQV} access time without the need for transitions on any control input pins, and will remain valid until another address change or until \bar{E} or \bar{G} is brought high, or \bar{W} or \overline{HSB} is brought low.

SRAM WRITE

A WRITE cycle is performed whenever \bar{E} and \bar{W} are low and \overline{HSB} is high. The address inputs must be stable prior to entering the WRITE cycle and must remain stable until either \bar{E} or \bar{W} goes high at the end of the cycle. The data on the common I/O pins DQ_{0-7} will be written into the memory if it is valid t_{DVWH} before the end of a \bar{W} controlled WRITE or t_{DVEH} before the end of an \bar{E} controlled WRITE.

It is recommended that \bar{G} be kept high during the entire WRITE cycle to avoid data bus contention on common I/O lines. If \bar{G} is left low, internal circuitry will turn off the output buffers t_{WLQZ} after \bar{W} goes low.

POWER-UP RECALL

During power up, or after any low-power condition ($V_{CAP} < V_{RESET}$), an internal *RECALL* request will be latched. When V_{CAP} once again exceeds the sense voltage of V_{SWITCH} , a *RECALL* cycle will automatically be initiated and will take $t_{RESTORE}$ to complete.

If the STK14C88-M is in a WRITE state at the end of power-up *RECALL*, the SRAM data will be corrupted. To help avoid this situation, a 10K Ohm resistor should be connected either between \bar{W} and system V_{CC} or between \bar{E} and system V_{CC} .

SOFTWARE NONVOLATILE STORE

The STK14C88-M software *STORE* cycle is initiated by executing sequential \bar{E} controlled READ cycles from six specific address locations. During the *STORE* cycle an erase of the previous nonvolatile data is first performed, followed by a program of the nonvolatile elements. The program operation copies the SRAM data into nonvolatile memory. Once a *STORE* cycle is initiated, further input and output are disabled until the cycle is completed.

Because a sequence of READs from specific addresses is used for *STORE* initiation, it is important that no other READ or WRITE accesses intervene in the sequence, or the sequence will be aborted and no *STORE* or *RECALL* will take place.

To initiate the software *STORE* cycle, the following READ sequence must be performed:

| | | |
|-----------------|------------|-----------------------------|
| 1. Read address | 0E38 (hex) | Valid READ |
| 2. Read address | 31C7 (hex) | Valid READ |
| 3. Read address | 03E0 (hex) | Valid READ |
| 4. Read address | 3C1F (hex) | Valid READ |
| 5. Read address | 303F (hex) | Valid READ |
| 6. Read address | 0FC0 (hex) | Initiate <i>STORE</i> cycle |

The software sequence must be clocked with \bar{E} controlled READs.

Once the sixth address in the sequence has been entered, the *STORE* cycle will commence and the chip will be disabled. It is important that READ cycles and not WRITE cycles be used in the sequence, although it is not necessary that \bar{G} be low for the sequence to be valid. After the t_{STORE} cycle time has been fulfilled, the SRAM will again be activated for READ and WRITE operation.

SOFTWARE NONVOLATILE RECALL

A software *RECALL* cycle is initiated with a sequence of *READ* operations in a manner similar to the software *STORE* initiation. To initiate the *RECALL* cycle, the following sequence of \bar{E} controlled *READ* operations must be performed:

1. Read address 0E38 (hex) Valid *READ*
2. Read address 31C7 (hex) Valid *READ*
3. Read address 03E0 (hex) Valid *READ*
4. Read address 3C1F (hex) Valid *READ*
5. Read address 303F (hex) Valid *READ*
6. Read address 0C63 (hex) Initiate *RECALL* cycle

Internally, *RECALL* is a two-step procedure. First, the SRAM data is cleared, and second, the nonvolatile information is transferred into the SRAM cells. After the t_{RECALL} cycle time the SRAM will once again be ready for *READ* and *WRITE* operations. The *RECALL* operation in no way alters the data in the EEPROM cells. The nonvolatile data can be recalled an unlimited number of times.

AutoStore™ OPERATION

The STK14C88-M can be powered in one of three modes.

During normal *AutoStore*™ operation, the STK14C88-M will draw current from V_{CCX} to charge a capacitor connected to the V_{CAP} pin. This stored charge will be used by the chip to perform a single *STORE* operation. After power up, when the voltage on the V_{CAP} pin drops below V_{SWITCH} , the part will automatically disconnect the V_{CAP} pin from V_{CCX} and initiate a *STORE* operation.

Figure 2 shows the proper connection of capacitors for automatic store operation. A charge storage capacitor having a capacity of between 68 μ F and 220 μ F ($\pm 20\%$) rated at 6V should be provided.

In system power mode (Figure 3), both V_{CCX} and V_{CAP} are connected to the +5V power supply without the 100 μ F capacitor. In this mode the *AutoStore*™ function of the STK14C88-M will operate on the stored system charge as power goes down. The user must, however, guarantee that V_{CCX} does not drop below 3.6V during the 10ms *STORE* cycle.

If an automatic *STORE* on power loss is not required, then V_{CCX} can be tied to ground and +5V applied to V_{CAP} (Figure 4). This is the *AutoStore*™ Inhibit mode, in which the *AutoStore*™ function is disabled. If the STK14C88-M is operated in this configuration, references to V_{CCX} should be changed to V_{CAP} throughout this data sheet. In this mode, *STORE* operations may be triggered through software control or the \overline{HSB} pin. It is not permissible to change between these three options “on the fly”.

In order to prevent unneeded *STORE* operations, automatic *STORE*s as well as those initiated by externally driving \overline{HSB} low will be ignored unless at least one *WRITE* operation has taken place since the most recent *STORE* or *RECALL* cycle. Software-initiated *STORE* cycles are performed regardless of whether a *WRITE* operation has taken place. An optional pull-up resistor is shown connected to \overline{HSB} . This can be used to signal the system that the *AutoStore*™ cycle is in progress.

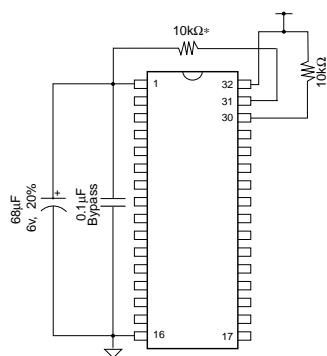


Figure 2: *AutoStore*™ Mode

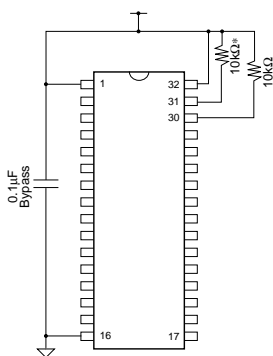


Figure 3: System Power Mode

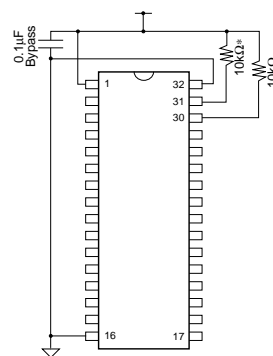


Figure 4: *AutoStore*™ Inhibit Mode

*If \overline{HSB} is not used, it should be left unconnected.

$\overline{\text{HSB}}$ OPERATION

The STK14C88-M provides the $\overline{\text{HSB}}$ pin for controlling and acknowledging the *STORE* operations. The $\overline{\text{HSB}}$ pin can be used to request a hardware *STORE* cycle. When the $\overline{\text{HSB}}$ pin is driven low, the STK14C88-M will conditionally initiate a *STORE* operation after t_{DELAY} ; an actual *STORE* cycle will only begin if a *WRITE* to the SRAM took place since the last *STORE* or *RECALL* cycle. The $\overline{\text{HSB}}$ pin acts as an open drain driver that is internally driven low to indicate a busy condition while the *STORE* (initiated by any means) is in progress.

SRAM *READ* and *WRITE* operations that are in progress when $\overline{\text{HSB}}$ is driven low by any means are given time to complete before the *STORE* operation is initiated. After $\overline{\text{HSB}}$ goes low, the STK14C88-M will continue SRAM operations for t_{DELAY} . During t_{DELAY} multiple SRAM *READ* operations may take place. If a *WRITE* is in progress when $\overline{\text{HSB}}$ is pulled low it will be allowed a time, t_{DELAY} to complete. However, any SRAM *WRITE* cycles requested after $\overline{\text{HSB}}$ goes low will be inhibited until $\overline{\text{HSB}}$ returns high.

The $\overline{\text{HSB}}$ pin can be used to synchronize multiple STK14C88-Ms while using a single larger capacitor. To operate in this mode, the $\overline{\text{HSB}}$ pins should be connected together to the $\overline{\text{HSB}}$ pins from the other STK14C88-Ms. An external pull-up resistor to +5V is required since $\overline{\text{HSB}}$ acts as an open drain pull down. The V_{CAP} pins from the other STK14C88-M parts can be tied together and share a single capacitor. The capacitor size must be scaled by the number of devices connected to it. When any one of the STK14C88-Ms detects a power loss and asserts $\overline{\text{HSB}}$, the common $\overline{\text{HSB}}$ pin will cause all parts to request a *STORE* cycle (a *STORE* will take place in those STK14C88-Ms that have been written since the last nonvolatile cycle).

During any *STORE* operation, regardless of how it was initiated, the STK14C88-M will continue to drive the $\overline{\text{HSB}}$ pin low, releasing it only when the *STORE* is complete. Upon completion of the *STORE* operation the STK14C88-M will remain disabled until the $\overline{\text{HSB}}$ pin returns high.

If $\overline{\text{HSB}}$ is not used, it should be left unconnected.

PREVENTING STORES

The *STORE* function can be disabled on the fly by holding $\overline{\text{HSB}}$ high with a driver capable of sourcing 30mA at a V_{OH} of at least 2.2V, as it will have to overpower the internal pull-down device that drives $\overline{\text{HSB}}$ low for 20 μ s at the onset of a *STORE*. When the STK14C88-M is connected for *AutoStore*TM operation (system V_{CC} connected to V_{CCX} and a 68 μ F capacitor on V_{CAP}) and V_{CC} crosses V_{SWITCH} on the way down, the STK14C88-M will attempt to pull $\overline{\text{HSB}}$ low; if $\overline{\text{HSB}}$ doesn't actually get below V_{IL} , the part will stop trying to pull $\overline{\text{HSB}}$ low and abort the *STORE* attempt.

HARDWARE PROTECT

The STK14C88-M offers hardware protection against inadvertent *STORE* operation and SRAM *WRITES* during low-voltage conditions. When $V_{\text{CAP}} < V_{\text{SWITCH}}$, all externally initiated *STORE* operations and SRAM *WRITES* are inhibited.

*AutoStore*TM can be completely disabled by tying V_{CCX} to ground and applying +5V to V_{CAP} . This is the *AutoStore*TM Inhibit mode; *STOREs* are only initiated by explicit request using either the software sequence or the $\overline{\text{HSB}}$ pin in this mode.

LOW AVERAGE ACTIVE POWER

The STK14C88-M will draw significantly less current when it is cycled at times longer than 50ns. Figure 5 shows the relationship between I_{CC} and *READ* cycle time. Worst-case current consumption is shown for both CMOS and TTL input levels (commercial temperature range, $V_{\text{CC}} = 5.5\text{V}$, 100% duty cycle on chip enable). Figure 6 shows the same relationship for *WRITE* cycles. If the chip enable duty cycle is less than 100%, only standby current is drawn when the chip is disabled.

The overall average current drawn by the STK14C88-M depends on the following items: 1) CMOS vs. TTL input levels; 2) the duty cycle of chip enable; 3) the overall cycle rate for accesses; 4) the ratio of *READs* to *WRITEs*; 5) the operating temperature; 6) the V_{CC} level; and 7) I/O loading.

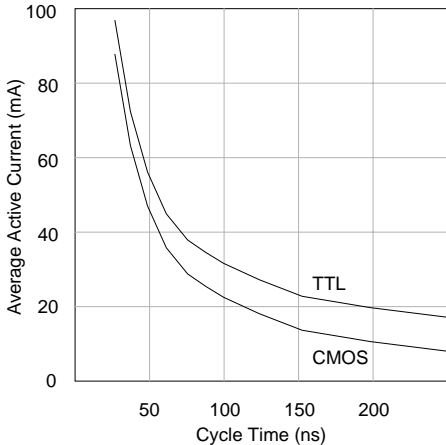


Figure 5: I_{CC} (max) Reads

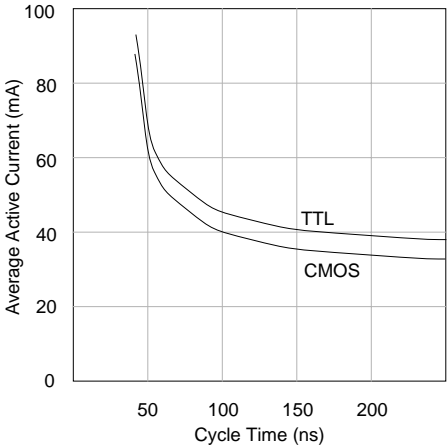


Figure 6: I_{CC} (max) Writes

ORDERING INFORMATION

STK14C88 - 5 L 45 M

